

# Bushing for in-oil application FMBOs-630/400 (interface C / 630 A)

C 33-051, EN 50180

**elascon**  
EC

**formfit**<sup>®</sup>



## Medium Voltage (MV)

Up to 36 kV

MV separable connectors rating 630 A (interface C)

Reference : FMBOs-630

*FMBOs-400*

## Product Application and Design

### Utilisation

- In-oil insulated equipment (transformers, switchgear...).
- Indoor or outdoor installation.
- Insulation voltage up to 36 kV.
- Continuous 630 A rms overload 900 A rms (8 hours per 24-hour period).
- Operated when de-energized.
- Interchangeable with 1000 A porcelain bushings.

### Packing

- Supplied as a kit of 3 pieces.
- Shipping weight and volume (approx) of kit: 12 kg / 0,090 m<sup>3</sup>

### Other products

- Associated products such as separable tee connectors FMCTs-400, FMCEAs-630/400, FMCEAUs-630/C, FMCTXs-630/C, FMCTs-400/1250 and accessories.



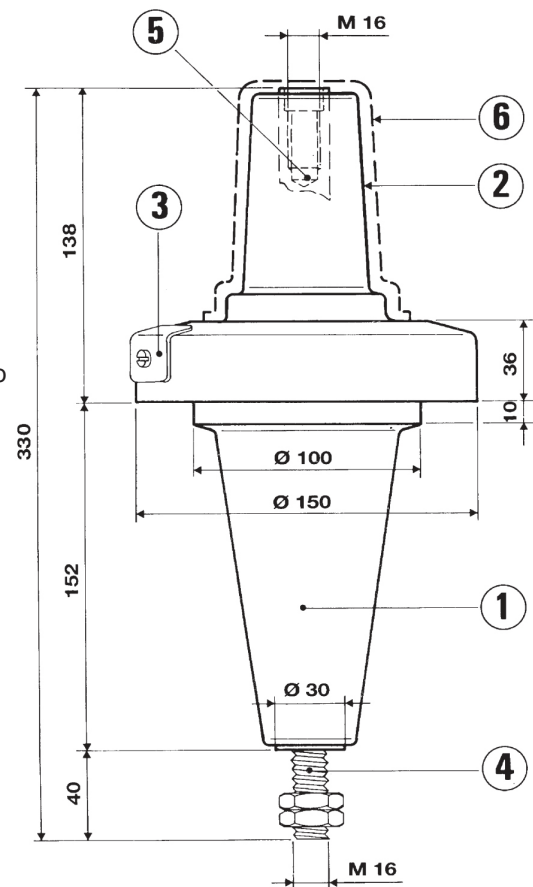
**INTERFACE  
C / 630 A**

## Installation features

- The bushings are fastened to the equipment by means of clamps.
- **May only be energized once the separable connector or dead-end receptacle is installed.**

## Description

- ① **Body**  
Moulded in epoxy resin with electrode insert, suitable for immersion in oil.
- ② **Interface C**  
Part which accepts the mating interface of a connector or of an accessory. The elastic sealing pressure prevents the ingress of moisture.
- ③ **Earthing**  
The electrode insert is connected to earth by a stainless steel plate.
- ④ **Bushing rod**  
Copper rod, with lower part threaded to allow connection to MV windings.
- ⑤ **Bolted contact**  
Threaded part which accepts the clamping screw of the mating item.
- ⑥ **Cap**  
For mechanical protection of the interface during storage and transport. The cap cannot be used for electrical protection.



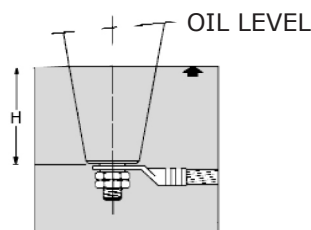
## Selection guide

Select model according to insulation voltage in kV: **12, 24, 36**

Voltage	Reference	H
12 kV	<b>FMBOs-400-12</b>	40 mm
24 kV	<b>FMBOs-400-24</b>	50 mm
36 kV	<b>FMBOs-400-36</b>	70 mm

### Example of order

24 kV, interface C/630A., in-oil application:  
**FMBOs-400-24.**



FASTENING SYSTEM  
NF C 52053  
(Clamp)

