

Tee connecting Plug (inner Cone) (interface A / 250 A)

formfit®

Generally meets the requirements of VDE 0278 - C 33-051

Interfaces : Cenelec EN 50180 - EN 50181.



Medium Voltage (MV)

Up to 24 kV

MV separable connectors rating 250 A (interface A)

Reference : FMPCd-250

Product Application and Design

Utilisation

- Dual cable supply to or from equipment (transformer, switchgear unit, motor).
- Compact and low cost arrangements for distribution systems.
- Indoor and outdoor installation. Any combination is watertight (i.e elastic sealing pressure with mating item) and is protected are connected to earth. Can be used in submerged vaults and for tapping aerial bundled cables.
- Continuous 250 A rms.
- Overload 300 A rms (8 hours per 24-hour period).
- Operated when de-energized.
- Insulation voltage up to 24 kV.



Packing

Supplied as a kit of 3 pieces, including the clamping device.
Shipping weight and volume (approx) of kit 2.8 kg / 0,010 m³.

Other products

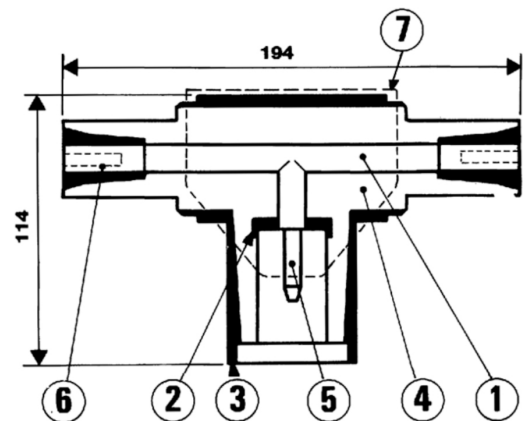
- Associated products : separable straight and elbow connectors FMCS-250, FMCE-250, dead-end receptacle plug FMPD-250, tee and straight connecting plugs FMPCt-250 and FMPCs-250.

Installation features

- No need for special tools, no heating, taping or filling.
- Can be installed in any position.
- No minimum distance between phases.
- Energizing may take place immediately after the connector is plugged on its mating bushing, dead-end
- The clamping device accepts locking barce of all mating items, allowing any arrangement.

Description

- ① **Tee busbar**
Copper rod, terminated by two sliding socket contacts and one contact pin.
- ② **Semi-conducting inner screen**
Insert of molded semi-conducting EPDM enclosing the metallic contact piece so that the air inside is prevented.
- ③ **Semi-conducting outer envelope**
Jacket made of semi-conducting EPDM. When assembled with the mating items, it provides continuity of the outer conductive screens, maintaining the whole arrangement at earth potential.
- ④ **Insulation body**
Moulded from insulation EPDM, for integral reconstitution of insulation. It maintains an uniform contact pressure on the interface of the mating items providing an excellent moisture seal.
- ⑤ **Contact pin**
Plugs into the sliding contact of the mating item.
- ⑥ **Socket contact**
Sliding contact of multipoint type which accepts the pin of the mating item.
- ⑦ **Clamping device**
Stainless steel plate holding the locking braces of the mating items.



**INTERFACE
A / 250 A**

100% of tee connecting plug are individually tested in factory (Industrial Power Frequency and partial discharges).

Selection guide

Select model according to insulation voltage (U_m) in kV : 12 - 24

Example of order

24 kV, Interface A / 250 A, for dual supply : **FMPCd-250-24**.

