

## Indoor plug-in insulator (interface A / 250 A)

NF C 33-051, EN 50180

**formfit**<sup>®</sup>

**Medium Voltage (MV)**  
**Up to 24 kV**  
**Rating : 250 A**  
**Reference : FMCI-250**



### Product Application and Design

#### Utilisation

- Indoor type.
- Power supply via busbars (wires, rods...) of transformers, equipped with insulating bushings.
- Operated when de-energized.
- Not recommended for factory testing of transformers (for that purpose, please consult us).

#### Packing

Supplied as a kit of 1 insulator.

Shipping weight and volume (aprox) of kit : 1,2 kg / 0,007 m<sup>3</sup>.

#### Other products

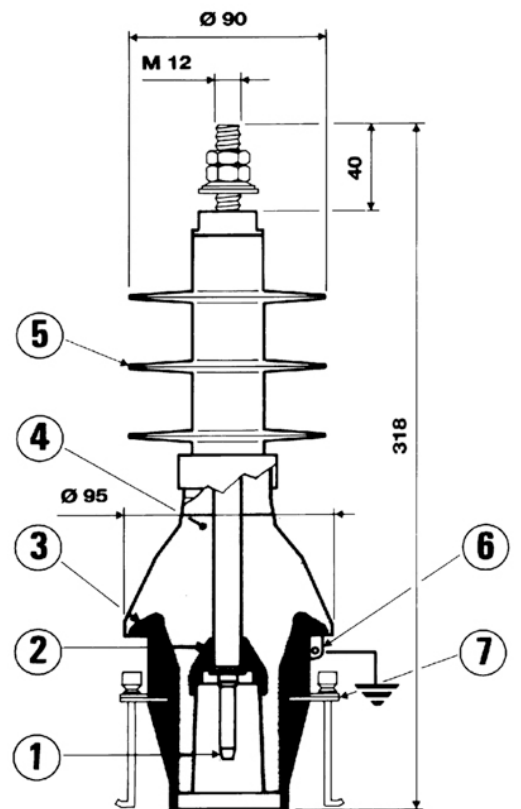
Associated products such as bushing FMBOm-250, FMBOh-250, FMBA-250 and FMBOcm-250.

### Installation features

- No need for special tools, no heating, taping or filling.
- Vertical, or horizontal position.
- Energizing may take place immediately after the insulator is plugged on mating bushing.
- Individual clamping by stainless steel brace.

## Description

- ① **Bushing rod**  
Copper rod with a threaded end for connection to busbars.
- ② **Semi-conducting inner screen**  
Insert of molded semi-conducting EPDM enclosing the metallic contact piece so that the air inside is prevented.
- ③ **Semi-conducting outer screen**  
Jacket in semi-conducting EPDM.
- ④ **Insulating body**  
Moulded from insulating EPDM, maintains a uniform contact pressure on the bushing interface providing an excellent moisture seal.
- ⑤ **Insulator**  
Moulded in silicone elastomer.
- ⑥ **Earthing eye**  
For connection of the semi-conducting outer screen to earth.
- ⑦ **Locking brace**  
Stainless steel fastening the insulator on its mating bushing.



## Example of order

Simply specify the reference of plug-in insulator : **FMC1-250**.

**INTERFACE  
A / 250 A**

**100% of the separable connector bodies are individually tested in factory (Industriel Power Frequency and partial discharges).**